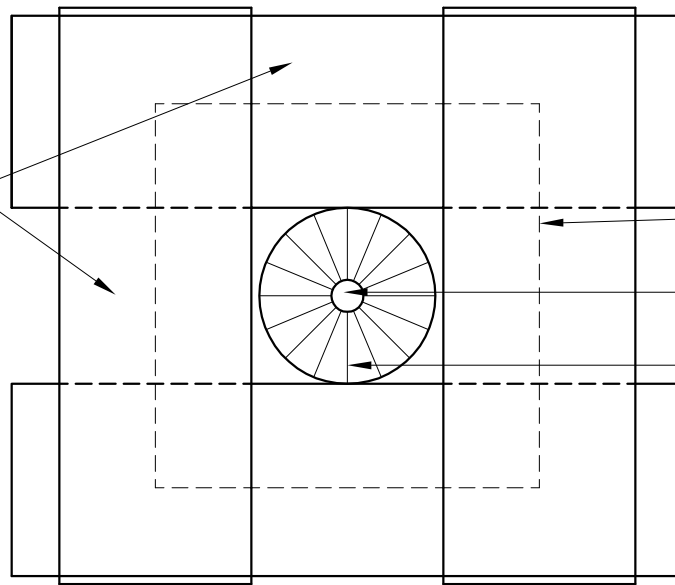


12" WIDE FABRIC AND FOUNDATION COAT (2 COATS) SPLICED OVER FLAT METAL FLASHING. COLOR AS SPECIFIED

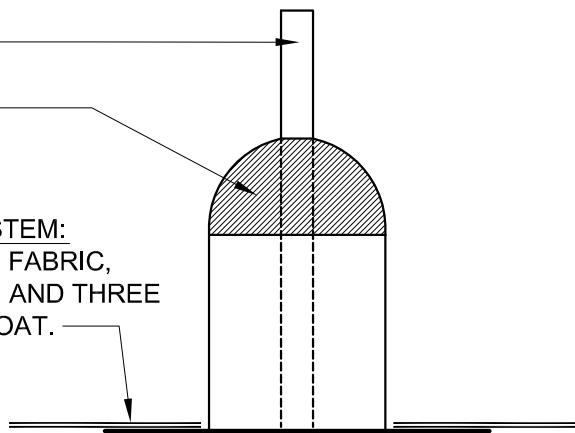


FLAT METAL PIPE FLASHING
VENT / STACK PIPE
RUBBER CASING

SECTION

VENT / STACK PIPE
RUBBER CASING

PREMIUM COAT SYSTEM:
FOUNDATION COAT, FABRIC,
FOUNDATION COAT, AND THREE
COATS OF FINISH COAT.

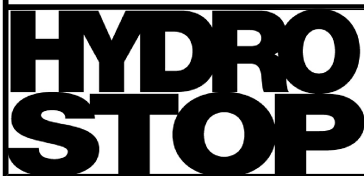


FLAT METAL PIPE FLASHING

SECTION

NOTES:

1. ALL FLASHING SHALL BE DESIGNED FOR THE APPLICABLE CONDITIONS. METAL THICKNESS, FASTENERS, AND LAPPING SHALL BE AS SPECIFIED BY THE ROOF DESIGNER.
2. REFER TO THE SPECIFICATIONS FOR SPECIFIC EXECUTION REQUIREMENTS.
3. PREMIUM COAT SYSTEM- FOUNDATION COAT, FABRIC, FOUNDATION COAT, AND FINISH COAT COMPONENTS.
4. FOUNDATION COAT- COMBINED COVERAGE (2 COATS) AT MINIMUM RATE OF 40 SF/GALLON.
5. FINISH COAT- COMBINED COVERAGE (3 COATS) AT MINIMUM RATE OF 52.5 SF/GALLON.
6. PRIMING- REFER TO HYDROSTOP SPECIFICATIONS FOR DECK PRIMING REQUIREMENTS.



PREMIUM COAT SYSTEM

VENT / STACK PIPE DETAIL
15 YEAR SYSTEM

DATE:

08/31/10

SHEET No :

VP-3-15A