

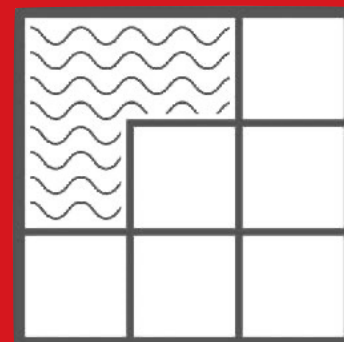


SURFACE SEAL SB

Thermoplastic Rubber | Waterproofing



FABRIC REINFORCED



TILE OVERBURDEN



GAF SURFACE SEAL SB
Thermoplastic Rubber | Waterproofing + Tile Overburden

Miami-Dade NOA# 22-0614.03 - page 16 of 18

PRIME

2.50 gal/SQ - Smooth Surface
12.5 SQ per 5-gal pail



Coverage rates are estimates only. Actual usage will vary by surface and conditions.



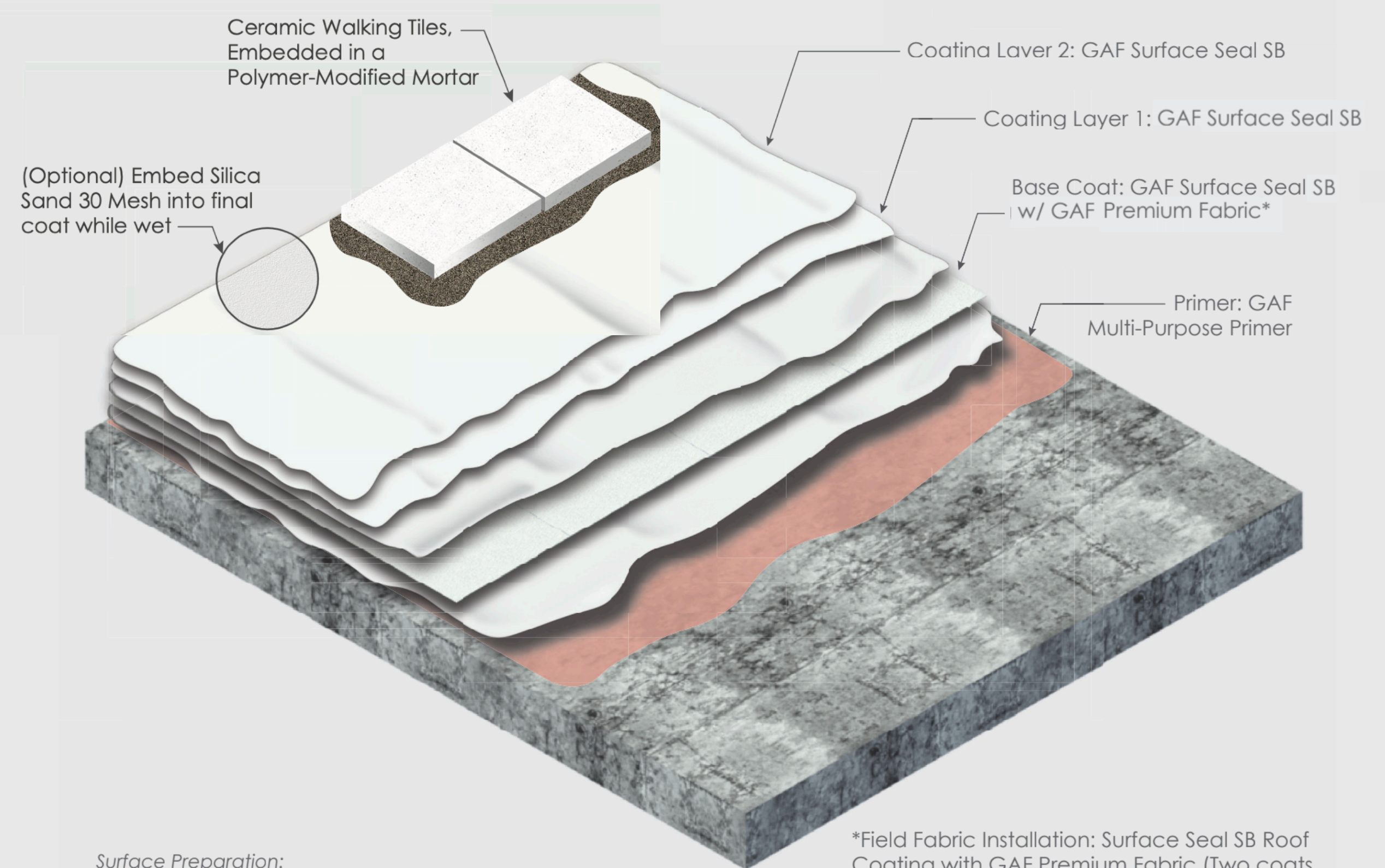
APPLY

- Solvent-based, cures to form a seamless rubber membrane
- Do NOT apply more than 1.5 gallons per 100 ft² in a single coat.
- APPLICATION SURFACE TEMPERATURE: 40°F - 100°F

STANDARD COLORS

WHITE	GRAY
--------------	-------------

WATERPROOFING + Tile Finish direct to Structural Concrete

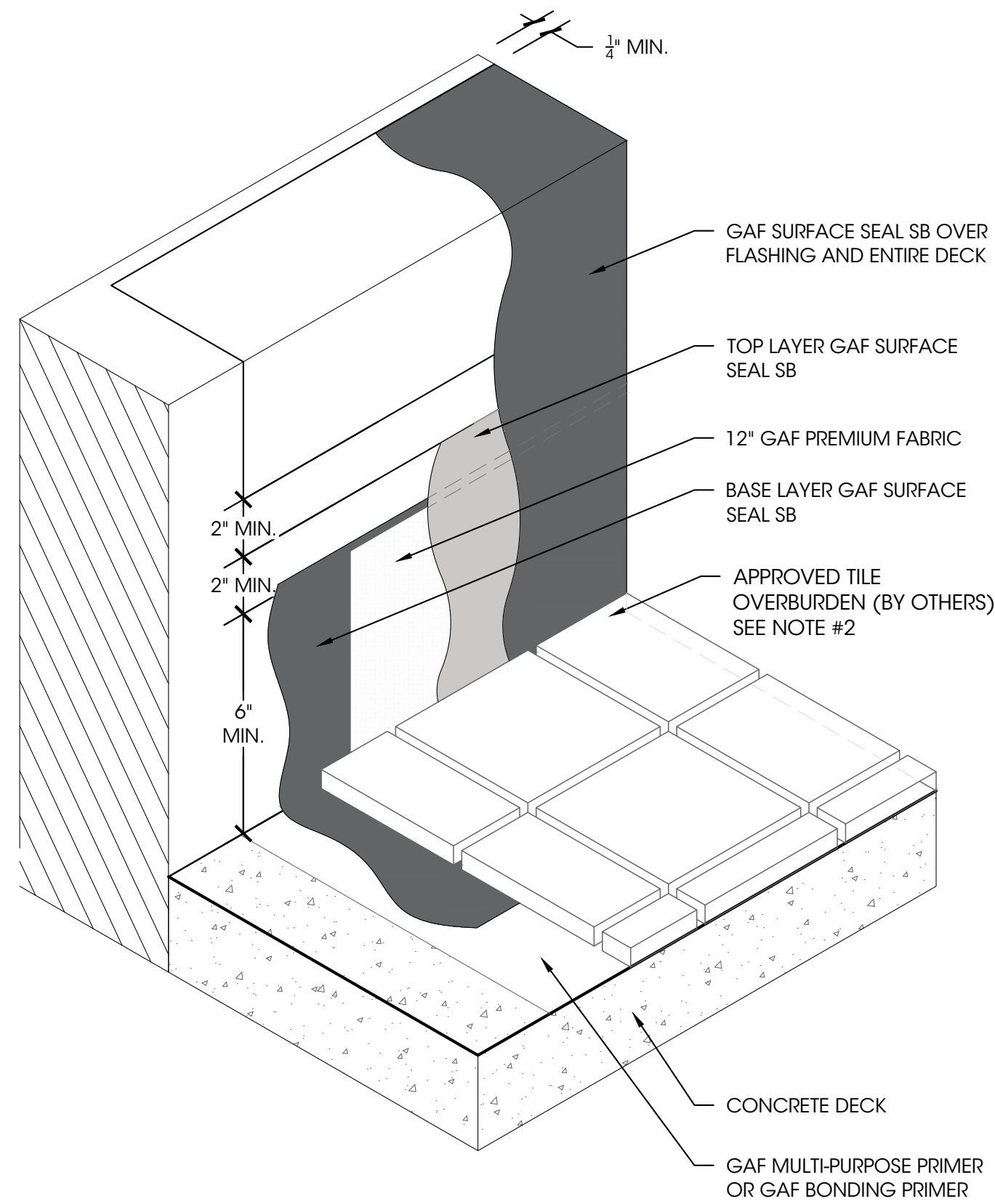


Surface Preparation:
Dry Cleaning Method (Substrate must be clean and dry prior to installing coating materials).

*Field Fabric Installation: Surface Seal SB Roof Coating with GAF Premium Fabric (Two coats, with fabric embedded into the first coat)

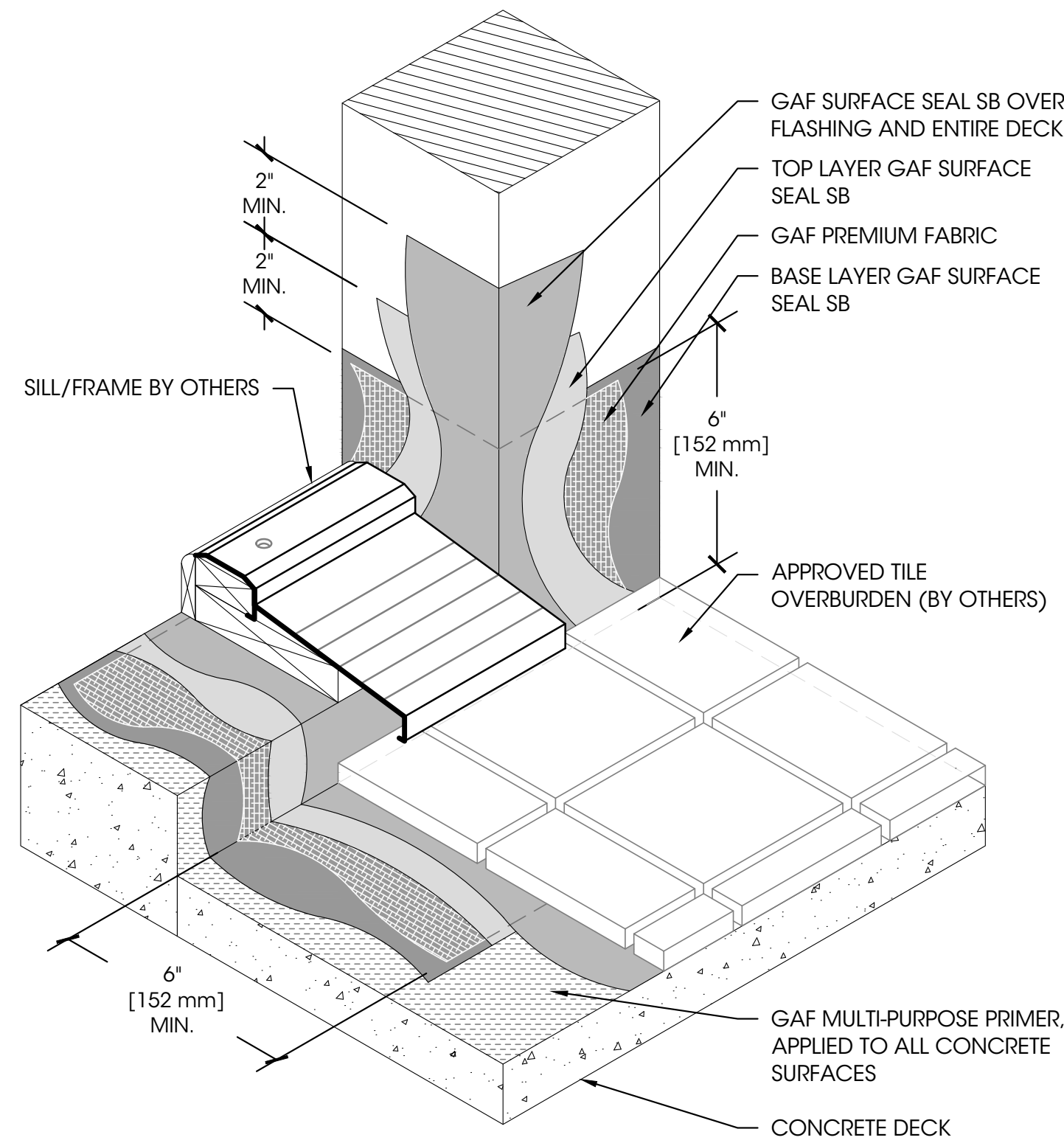
Deck Type: Structural Concrete

10-Year Rate	15-Year Rate	20-Year Rate
4.5 Gal/Sq	5 Gal/Sq	5.5 Gal/Sq
42 DFT ² , mils 1.11 Sq per 5-gal pail	46 DFT ² , mils 1 Sq per 5-gal pail	50 DFT ² , mils .90 Sq per 5-gal pail



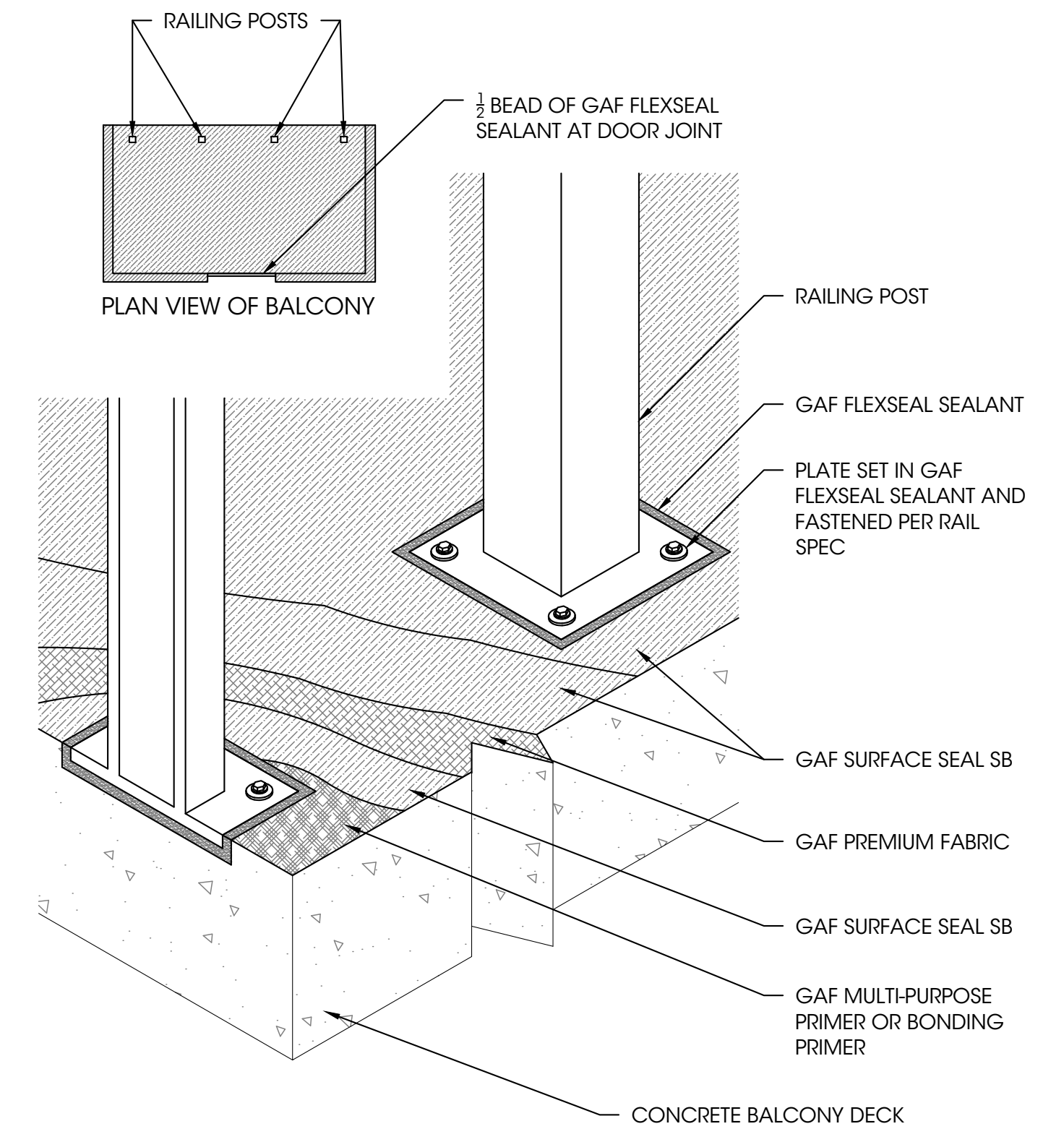
NOTES:
 1. REQUIREMENTS AND RECOMMENDATIONS OUTLINED IN THE APPLICABLE GAF MANUAL OR GUIDE SHALL APPLY IN ADDITION TO THE DRAWING ABOVE.
 2. INSTALL TILE IN ACCORDANCE WITH MIAMI-DADE NOA 22-0614.03 PAGE 16 OF 18

1 WALL FLASHING PARAPET CAP SCALE 1:1



NOTES:
 1. REQUIREMENTS AND RECOMMENDATIONS OUTLINED IN THE APPLICABLE GAF MANUAL OR GUIDE SHALL APPLY IN ADDITION TO THE DRAWING ABOVE.

1 THRESHOLD FLASHING NOT TO SCALE



NOTES:
 1. REQUIREMENTS AND RECOMMENDATIONS OUTLINED IN THE APPLICABLE GAF MANUAL OR GUIDE SHALL APPLY IN ADDITION TO THE DRAWING ABOVE.

1 BALCONY RECESSED RAILING SCALE 1:1

PRIME

ENHANCED ADHESION



GAF Multi-Purpose Primer

- 891435000 - GAF Multi-Purpose Primer Part A - 4.5 GAL
- 891436000 - GAF Multi-Purpose Primer Part B - 0.5 GAL
- 891433000 - GAF Multi-Purpose Primer Part A - 1 GAL
- 891434000 - GAF Multi-Purpose Primer Part B - 1 PINT

Priming of substrate is recommended and may be required. See GAF Liquid-Applied Roofing Manual at gaf.com.

FLASH

Prevent Leaks



FLASHING:

- 89SS920 - Surface Seal SB 5-GAL - White
- 8962920WP - FlexSeal Caulk Grade White 10oz Tube 20/box

REINFORCING FABRIC

- 890063000 - 12" x 300' Premium Fabric



APPLY



Surface Seal SB (Solvent-Based) THERMOPLASTIC RUBBER

- 89SS920 - Surface Seal SB 5-GAL - White
- 89SD920 - Surface Seal SB 54-GAL - White
- 890815419 - Surface Seal SB 5-GAL - Light Gray

Reinforcing Fabric (over occupied space)

- 890067000 - 40" x 336' GAF Premium Fabric - 25 Rolls / Box





Liquid-Applied Roofing

Packaging and Coverage Rates

Surface Seal SB (Fabric Reinforced)

Based on minimum installation guidelines, reference GAF Liquid-Applied manual for coverage rate guidance

PRODUCTS	UNIT'S PER PALLET	SQ'S PER PALLET	SQ'S PER UNIT
Surface Seal SB 5-gal	36 Pails/ pallet	39 SQ / Pallet	1.1 SQ / 5-gal pail
FlexSeal™ Sealant 5-gal	36 Pails/ pallet	5,400 LN. FT / Pallet (with fabric)	150 LN.FT / 5-gal pail (with fabric)
FlexSeal™ Caulk Grade 10oz - 20 Tubes/box	60 Box/ pallet	N/A	N/A
Premium Fabric 12"	25 Rolls/ pallet	7,500 LN.FT / Pallet	300 LN.FT / roll
Premium Fabric 40"	25 Rolls/ pallet	250 SQ / Pallet	10 SQ / roll
GAF Multi-Purpose Primer A 1-gal	180 Pails/ pallet	360 SQ / Pallet	2 SQ / 1-gal pail
GAF Multi-Purpose Primer B 1-pint	-	-	-
GAF Multi-Purpose Primer A 4.5-gal	36 Pails/ pallet	360 SQ / Pallet	10 SQ / 5-gal pail
GAF Multi-Purpose Primer B 0.5-gal	180 Pails/ pallet	-	-

The amount of coating required and number of coats is determined by duration and warranty specified. Coverage also varies with the specific substrate being coated; consult Technical Sales Representative for coverage rate guidance.

GAF and its representatives can not be responsible for variations in material needed and material costs.

Membrane Type: Liquid Applied Elastomeric Coating

Deck Type 3: Non-Insulated, Concrete Decks, Roof Plaza Decks

Deck Description: Structural Concrete Deck

System Type F(4): Primed structural concrete deck

Substrate Preparation: All surfaces must be dry, smooth, free of depressions, voids, protrusions, clean and free of any non-compatible curing compounds, foam release agents and other surface contaminants.

Primer: Two coats of Topcoat® Surface Seal SB are applied at the rate of 1gal./sq. in accordance with manufacturer's instructions.

Integrity Test: Required, and shall be performed in accordance with ASTM D5957 by an approved lab. Water may be maintained for a period longer than 24 hours if required.

Inspection: Contractor and a representative of the membrane manufacturer shall inspect the waterproofing assembly and notify the contractor of any defects. Inspection must take place prior to installation of any overlay insulation, protection pads, drainage boards and traffic surfacing. All defects observed shall be corrected.

Surfacing: Apply exterior grade (ANSI A137.1) ceramic plaza deck walking tiles Minimum size of 12" x 12" x 1/2" thick. Tiles shall be embedded into polymer modified Portland Cement applied with a 1/4" square notched trowel. Tiles should then be carefully embedded in the mortar bed and tapped in place to insure full solid bearing. Tile shall be installed in accordance with applicable Building Code.

Maximum Design Pressure: 591 psf. (See General Limitation #9)

Miami-Dade NOA# 22-0614.03 - page 16 of 18



NOA No.: 22-0614.03
 Expiration Date: 09/18/27
 Approval Date: 09/15/22
 Page 16 of 18

7/31/24, 5:26 PM TGFU.R1306 - Roofing Systems I UL Product IQ
 "EnergyGuard™ RA HD" or "EnergyGuard™ RN" or "EnergyGuard™ RM" or "EnergyGuard™ Barrier" or "EnergyGuard™ NH Barrier", any thickness, mechanically fastened.
Membrane: — "EverGuard® TPO" 45-mil to 80-mil or "EverGuard Extreme® TPO" 50-mil to 80-mil, mechanically fastened.

Class C - Mechanically Fastened

1. Deck: NC **Incline:** Unlimited
Insulation (Optional): — "EnergyGuard™" or "EnergyGuard™ Ultra" or "Energy Guard™ RF" or "EnergyGuard™ RA" or "EnergyGuard™ RA Tapered" or "EnergyGuard™ RA Ultra" or "EnergyGuard™ RA Ultra Tapered" or "EnergyGuard™ RA HD" or "EnergyGuard™ RN" or "EnergyGuard™ RM" POLYISOCYANURATE or wood fiber or glass fiber or perlite, any thickness, mechanically fastened.
Membrane: — "EverGuard® TPO" 45-mil to 80-mil or "EverGuard Extreme® TPO" 50-mil to 80-mil, mechanically fastened.

2. Deck: C-15/32 **Incline:** Unlimited
Barrier Board: — Minimum 1/4-in. thick Georgia-Pacific Gypsum LLC "DensDeck® Roofboard" or "DensDeck Prime® Roofboard" or "DensDeck DuraGuard™ Roofboard" or minimum 1/4-in. thick United States Gypsum Co. "SECUROCK® Roof Board" (Type FRX-G) or "SECUROCK® Glass-Mat Roof Board" (Type SGMRX) or minimum 1/4-in. thick National Gypsum Co "DEXcell Glass Mat Roof Board" or "DEXcellFA Glass Mat Roof Board" or minimum 1/2-in. thick gypsum board mechanically fastened with all butt joints staggered a minimum of 6-in. from the plywood roof deck butt joints.
Insulation (Optional): — "EnergyGuard™" or "EnergyGuard™ Ultra" or "Energy Guard™ RF" or "EnergyGuard™ RA" or "EnergyGuard™ RA Tapered" or "EnergyGuard™ RA Ultra" or "EnergyGuard™ RA Ultra Tapered" or "EnergyGuard™ RA HD" or "EnergyGuard™ RN" or "EnergyGuard™ RM" polyisocyanurate or wood fiber or glass fiber or perlite, any thickness, mechanically fastened.
Membrane: — "EverGuard® TPO" 45-mil to 80-mil or "EverGuard Extreme® TPO" 50-mil to 80-mil, mechanically fastened.

FLUID APPLIED COATING SYSTEMS

Class A

1. Deck: NC **Incline:** Unlimited
Surfacing: — "Surface Seal SB Thermoplastic Rubber Coating" applied at a rate of 2-1/2 gal./100-ft.²



MAINTENANCE AND REPAIR SYSTEMS (PVC)

Class A

1. Deck: NC **Incline:** 1/2
Existing Roof System: — Insulated or noninsulated cap sheet, smooth or gravel surfaced (loose gravel may be removed).
Barrier Board (Optional): — Minimum 1/2-in. thick plywood.
Insulation/Slip Sheet: — One of the following insulations or insulation/slip sheet combinations:
 a. Perlite, any thickness / (optional) One ply Atlas Roofing Corp. "FR-10".
 b. "EnergyGuard™" or "EnergyGuard™ NH" or "EnergyGuard™ Ultra" or "EnergyGuard™ NH Ultra" or "EnergyGuard™ RA" or "EnergyGuard™ RA Tapered" or "EnergyGuard™ RA Ultra" or "EnergyGuard™ RA Ultra Tapered" or "EnergyGuard™ RA HD" or "EnergyGuard™ RN" or "EnergyGuard™ RF" or "EnergyGuard™ RM", any thickness / One ply Atlas Roofing Corp. "FR-10".
 c. Dow Chemical "Styrofoam SM", any thickness / One ply Atlas Roofing Corp. "FR-10".
 d. BASF EPS (uniform or tapered), any thickness, covered with perlite (3/4-in. minimum) / (optional) One ply Atlas Roofing Corp. "FR-10".
 e. ARCO Chemical "ARCOR MB" or "ARCOR FM-1", 1.6-in. minimum.
Membrane: — "EverGuard® PVC", "EverGuard® PVC KEE", "EverGuard® PVC XK" or "EverGuard® PVC Smooth" 50 to 80-mil, mechanically fastened.

2. Deck: NC **Incline:** 1



This isn't Paint - It's Roofing

GAF Liquid-Applied Roofing



LIQUID-APPLIED

ROOFING & WATERPROOFING

Daniel Peña

GET PEACE OF MIND WITH A GAF PRO

305.812.6865

daniel.pena@gaf.com



Photo taken at #WALLOFWIND

There's a liquid solution for your roof - talk to GAF first