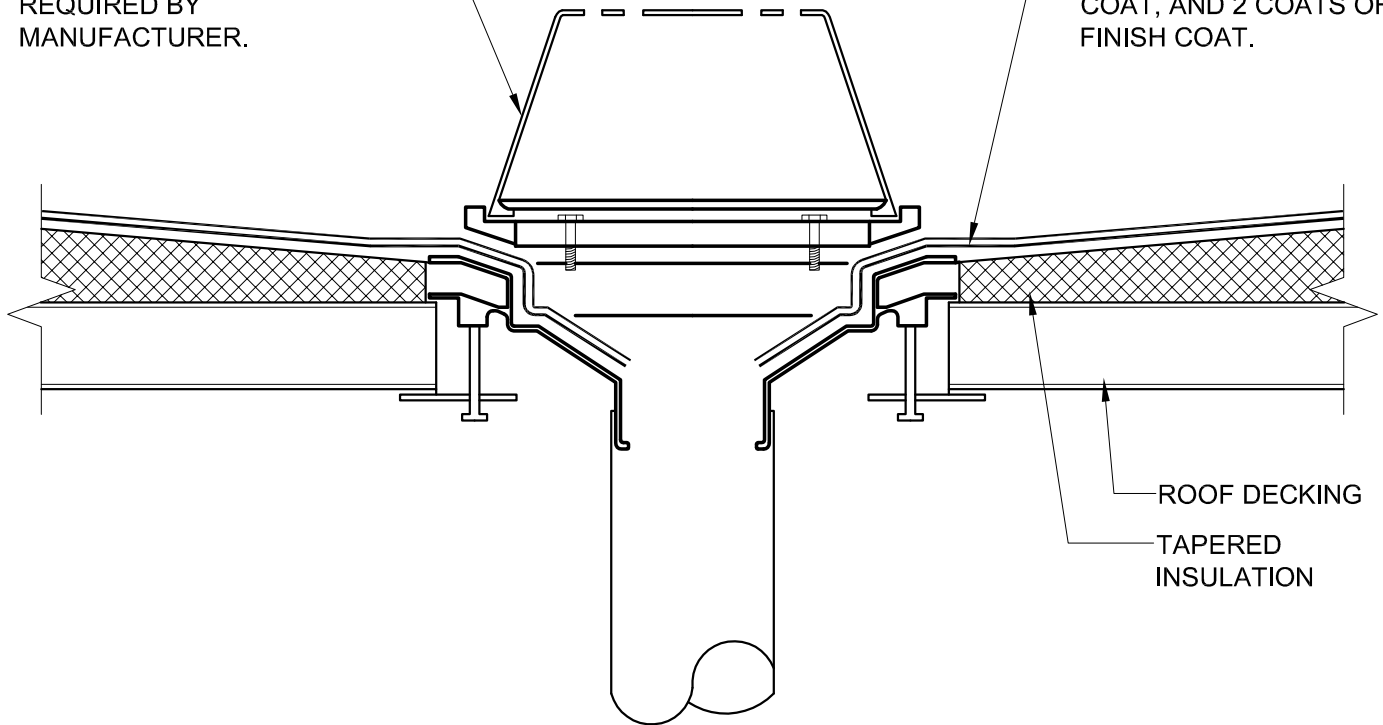


ROOF DRAIN. NOTE:
ROOF DRAIN SHALL
BE INSTALLED AS
REQUIRED BY
MANUFACTURER.

PREMIUM COAT SYSTEM:
FOUNDATION COAT,
FABRIC, FOUNDATION
COAT, AND 2 COATS OF
FINISH COAT.



NOTES:

1. ROOFING MEMBRANE SHALL EXTEND UNDER THE ROOF DRAIN COMPRESSION CLAMPING RING.
2. ALL DRAIN COMPONENTS SHALL BE MADE OF CAST IRON UNLESS APPROVED BY THE ROOF MEMBRANE MANUFACTURER TO USE ANOTHER MATERIAL.
3. SLOPE INSULATION TOWARDS DRAIN.
4. PREMIUM COAT SYSTEM- FOUNDATION COAT, FABRIC, FOUNDATION COAT, AND FINISH COAT COMPONENTS.
5. FOUNDATION COAT- COMBINED COVERAGE (2 COATS) AT MINIMUM RATE OF 40 SF/GALLON.
6. FINISH COAT- COMBINED COVERAGE (2 COATS) AT MINIMUM RATE OF 70 SF/GALLON.
7. PRIMING- REFER TO HYDROSTOP SPECIFICATIONS FOR DECK PRIMING REQUIREMENTS.

**HYDRO
STOP**

PREMIUM COAT SYSTEM

STANDARD ROOF DRAIN DETAIL
10 YEAR SYSTEM

DATE:

08/20/10

SHEET No :

RD-1-10