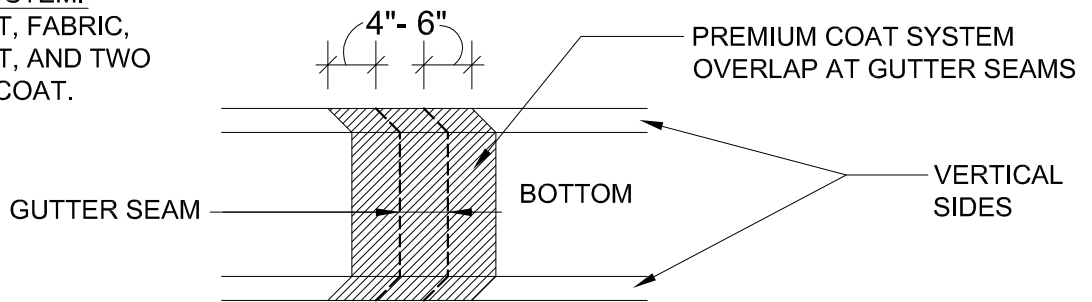


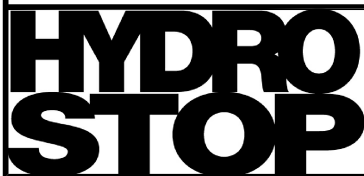
**PREMIUM COAT SYSTEM:**  
 FOUNDATION COAT, FABRIC,  
 FOUNDATION COAT, AND TWO  
 COATS OF FINISH COAT.



**GUTTER PLAN**

**NOTES:**

1. PREPARE ALL GUTTER SURFACES AS REQUIRED BY THE FLUID APPLIED SYSTEM MANUFACTURER.
2. PRIME ENTIRE GUTTER WITH "STABLERUST" PRIMER @ 200 SF/GAL. MIN. COVERAGE.
3. REMOVE LOSE OR DAMAGED FASTENERS AND REPLACE WITH FASTENERS DESIGNED TO PENETRATE THE DECK AND SUPPORTING MEMBERS WITH NEOPRENE WASHERS AT THE SCREW HEAD.
4. GUTTER CONFIGURATIONS MAY DIFFER FROM THE PROFILE INDICATED, BUT THE APPLICATION SHALL REMAIN SIMILAR.
5. PREMIUM COAT SYSTEM- FOUNDATION COAT, FABRIC, FOUNDATION COAT, AND FINISH COAT COMPONENTS. ALL FASTENERS ARE TREATED WITH HYDROCAPS AND FOUNDATION COAT. ALL GUTTER SEAMS ARE TREATED WITH FOUNDATION COAT 4", OR 6" FABRIC DEPENDING ON PROFILE OF THE GUTTER. (CONTACT TECHNICAL DEPARTMENT)
6. BARRIER GUARD SLURRY- 2 COATS AT MINIMUM RATE OF 200 SF/GALLON/COAT..
7. FINISH COAT- COMBINED COVERAGE (2 COATS) AT MINIMUM RATE OF 70 SF/GALLON.



**PREMIUM COAT SYSTEM**

TYPICAL GUTTER DETAIL  
 10 YEAR SYSTEM

DATE:

08/20/10

SHEET No :

G-1-10